

CABLE TIES & FIXINGS

Cable Tie Adhesive Bases

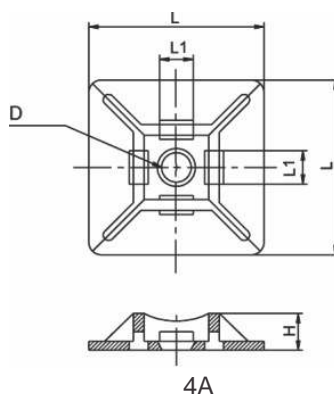


Features:

- The tie mounts offer a 4-way entry for the cable tie enabling quicker and more flexible installation.
- Designed specifically for holding heavier cable bundles. These mounting bases can be used in many industries from agriculture to truck manufacture. They offer a very secure fixing and can be used with a wide variety of heavyduty cable ties up to 5.2mm wide.

Material

- Polyamide 6.6, UL94 V2



Item No.	Dimension				COLOUR	
	L mm	H mm	L1 mm	D mm		
CA19X19	19.00	4.40	4.00	∅ 3.5	Black	Natural
CA28X28	27.70	5.70	5.30	∅ 5.7	Black	Natural
CA40X40	38.10	5.40	9.30	∅ 6.0	Black	Natural