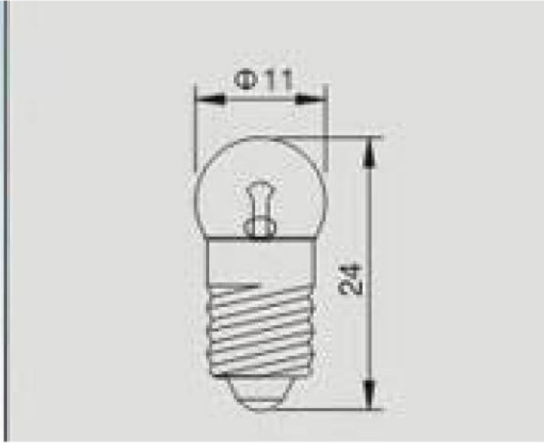


SPECIFICATION SHEET



mm

1.structure	Bulb Type	3.5v 200ma
	Bulb Diameter	11mm±0.01mm
	Length	24mm±0.2mm
	Base Type	E10
2.Design /test	Volt	3.5v
	AM	200±5%
	Filament	Vacuum
	Lumen	5LM
	Life hours	1000hours