

1

2

3

4

5

6

7

8

A

A

B

B

C

C

D

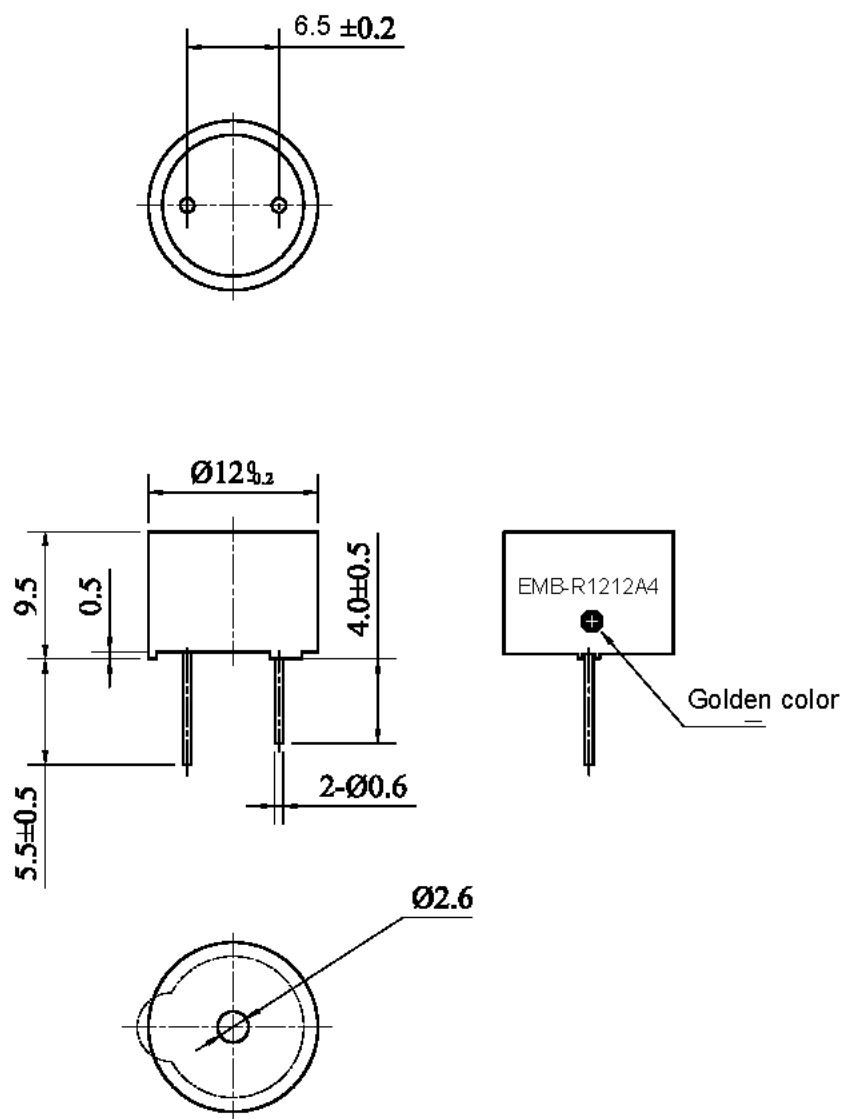
D

E

E

F

F



SPECIFICATION

1. Rated Voltage 12 VDC
2. Operating Voltage 8~16 VDC
3. Max. Rated Current 30mA/12VDC
4. Min. Sound Pressure Level 85dB/10cm
5. Resonant Frequency 2300 ± 300 Hz
6. Response Time
6. Case Material NORYL
7. Operating Temperature $-20 \sim +70^\circ\text{C}$
8. Store Temperature $-30 \sim +80^\circ\text{C}$
9. Weight 2g

* Wave solderable and washable

* RoHS Compliant

1

2

3

4

5

6

7

8