

FUER DIESE ZEICHUNG BEHALTEN WIR
UNS ALLE RECHTE NACH DIN 34 FÜR

DRAWING CREATED ISO STANDARDS

THIS DOCUMENT AND ALL INFORMATION THEREIN CONTAINED
ARE OUR EXCLUSIVE PROPERTY. THE RECIPIENT AGREES
NOT TO REPRODUCE COPY/USE OR TRANSMIT THIS DOCUMENT
AND/OR THE INFORMATION THEREIN CONTAINED FOR
ANY PURPOSE EXCEPT WITH OUR WRITTEN PERMISSION

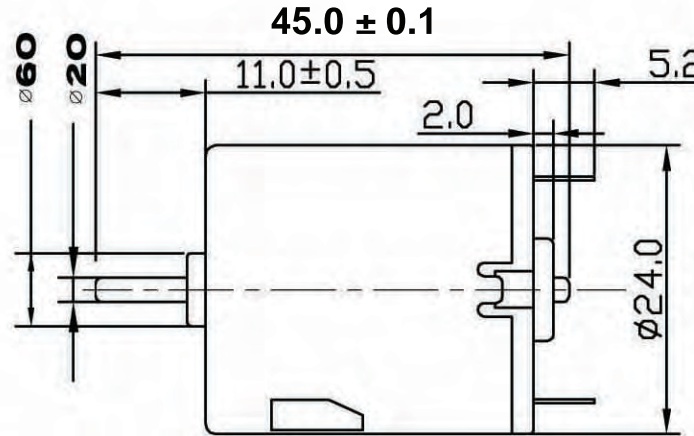
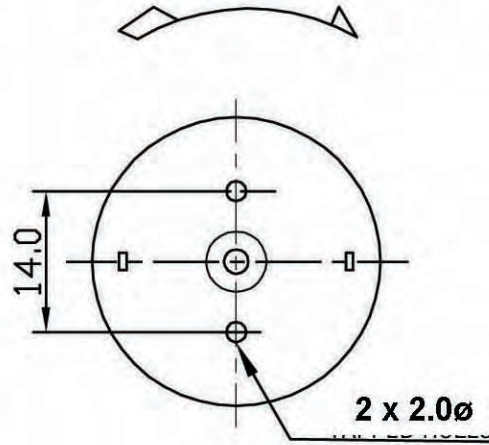
版次: **A**

未注公差			圆角半径和倒角高度		
0~6	6~30	30~120	0~3	3~6	6~30
±0.06	±0.1	±0.2	±0.2	±0.5	±0.8

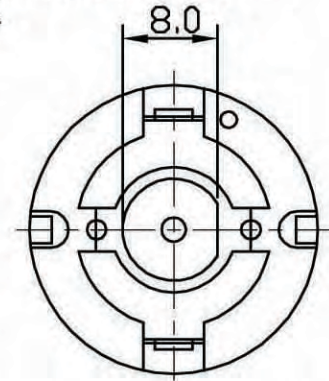
MODEL: HS-RE280-2865 (ROHS)

VOLTAGE: 3.0 VDC

DIRECTION OF ROTATION



两端子间加恒定电压



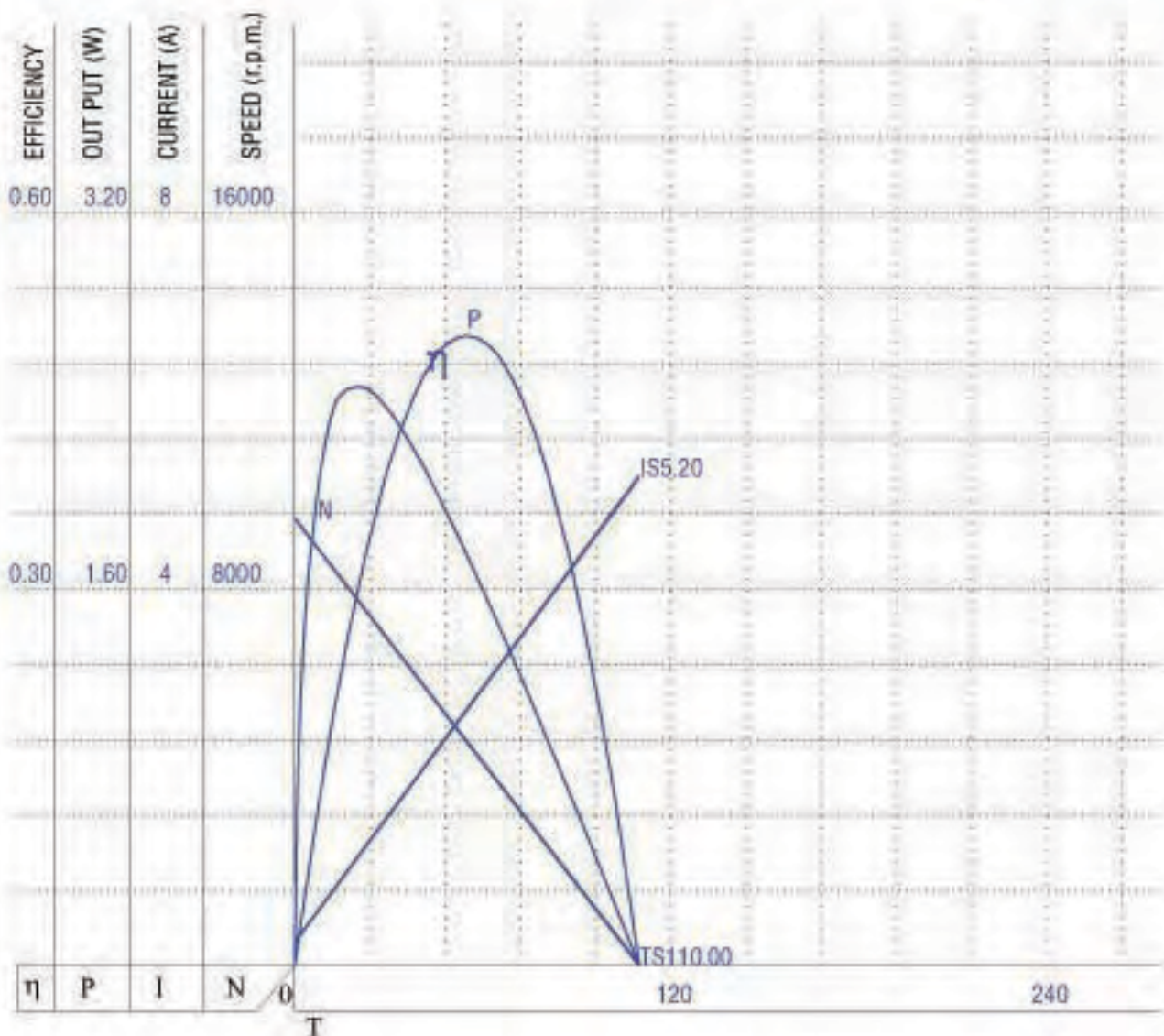
TITLE: 外形装配图	A4	DRAWER:	
MATERIAL:		CHECKER:	
MODEL: R280		APPROVER:	
DO NOT SCALE THE DAWING			
DRAWING NO.: A080406-1			

MODEL: HS-RE280 -2865 (ROHS)

VOLTAGE: 3.00 VDC

LENGTH OF SHAFT (A): 45.0 mm (±0.1)	FRONT EXTENSION (B): 11.0mm (±0.5)	NOISE:60 1/2 dBA / inch(Max)
---------------------------------------	--------------------------------------	-------------------------------

NO LOAD		LOAD EFFICIENCY(APPROX)					STALL	
SPEED (r.p.m.)	CURRENT (A)	SPEED (r.p.m.)	CURRENT (A)	TORQUE (g.cm)	OUT PUT (W)	EFFICIENCY (%)	CURRENT (A)	TORQUE (g.cm)
9500 ±10%	0.25 MAX.	7790	1.14	19.91	1.58	46.21	5.20 MAX.	110.00 MIN.



CUSTOMER	A080406-1	REVISION	A	DATE	2008-04-06
DRAWN BY		CHECKED BY		APPROVED BY	