

FUSES & FUSEHOLDERS

6.3x32mm (1/4"x1 1/4") Glass and Ceramic Fuses

6.3x32mm Quick Blow Glass Fuses

TYPE NO.	RATING	TYPE NO.	RATING
CF06332F/100	100mA	CF06332F/2.5	2.5A
CF06332F/125	125mA	CF06332F/3	3A
CF06332F/160	160mA	CF06332F/3.15	3.15A
CF06332F/200	200mA	CF06332F/4	4A
CF06332F/250	250mA	CF06332F/5	5A
CF06332F/500	500mA	CF06332F/6.3	6.3A
CF06332F/750	750mA	CF06332F/7	7A
CF06332F/1	1A	CF06332F/7.5	7.5A
CF06332F/1.25	1.25A	CF06332F/8	8A
CF06332F/1.5	1.5A	CF06332F/10	10A
CF06332F/2	2A	CF06332F/15	15A

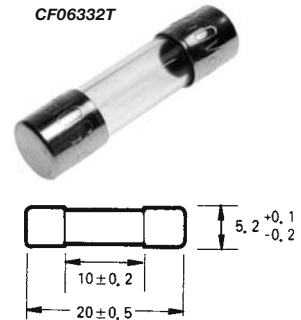
- Quick blow (F)
- Glass cartridge, nickel plated end caps
- Break capacity, 35A/250V (to 1A), 100A/250V (to 3.5A), 200A/250V (above 3.5A)
- To IEC 127



6.3x32mm Time Delay Glass Fuses

TYPE NO.	RATING	TYPE NO.	RATING
CF06332T/100	100mA	CF06332T/2.5	2.5A
CF06332T/125	125mA	CF06332T/3	3A
CF06332T/160	160mA	CF06332T/3.15	3.15A
CF06332T/200	200mA	CF06332T/4	4A
CF06332T/250	250mA	CF06332T/5	5A
CF06332T/500	500mA	CF06332T/6.3	6.3A
CF06332T/750	750mA	CF06332T/7	7A
CF06332T/1	1A	CF06332T/7.5	7.5A
CF06332T/1.25	1.25A	CF06332T/8	8A
CF06332T/1.5	1.5A	CF06332T/10	10A
CF06332T/2	2A	CF06332T/15	15A

- Time delay (T)
- Glass cartridge, nickel plated end caps
- Break capacity, 35A/250V (to 1A), 100A/250V (to 3.5A), 200A/250V (above 3.5A)
- To IEC 127



6.3x32mm Quick Blow Ceramic Fuses

TYPE NO.	RATING	TYPE NO.	RATING
CF06333CF/100	100mA	CF06333CF/3.15	3.15A
CF06333CF/250	200mA	CF06333CF/4	4A
CF06333CF/500	500mA	CF06333CF/5	5A
CF06333CF/750	750mA	CF06333CF/6.3	6.3A
CF06333CF/1	1A	CF06333CF/7.5	7.5A
CF06333CF/1.25	1.25A	CF06333CF/8	8A
CF06333CF/1.5	1.5A	CF06333CF/10	10A
CF06333CF/2	2A	CF06333CF/15	15A
CF06333CF/2.5	2.5A	CF06333CF/20	20A
		CF06333CF/25	25A

- Quick blow (F)
- Ceramic cartridge, nickel plated end caps
- Break capacity 1000A
- To IEC 127
- Sand filled
- cULus (500mA-15A)



6.3x32mm Time Delay Ceramic Fuses

TYPE NO.	RATING	TYPE NO.	RATING
CF06333CT/100	100mA	CF06333CT/2.5	2.5A
CF06333CT/125	125mA	CF06333CT/3.15	3.15A
CF06333CT/160	160mA	CF06333CT/4	4A
CF06333CT/200	200mA	CF06333CT/5	5A
CF06333CT/250	250mA	CF06333CT/6.3	6.3A
CF06333CT/315	315mA	CF06333CT/7	7A
CF06333CT/400	400mA	CF06333CT/7.5	7.5A
CF06333CT/500	500mA	CF06333CT/8	8A
CF06333CT/750	750mA	CF06333CT/10	10A
CF06333CT/1	1A	CF06333CT/12	12A
CF06333CT/1.25	1.25A	CF06333CT/12.5	12.5A
CF06333CT/1.5	1.5A	CF06333CT/15	15A
CF06333CT/2	2A	CF06333CT/20	20A
		CF06333CT/25	25A

- Time delay (T)
- Ceramic cartridge, nickel plated end caps
- Break capacity 1000A
- To IEC 127
- Sand filled
- cULus (500mA-15A)

