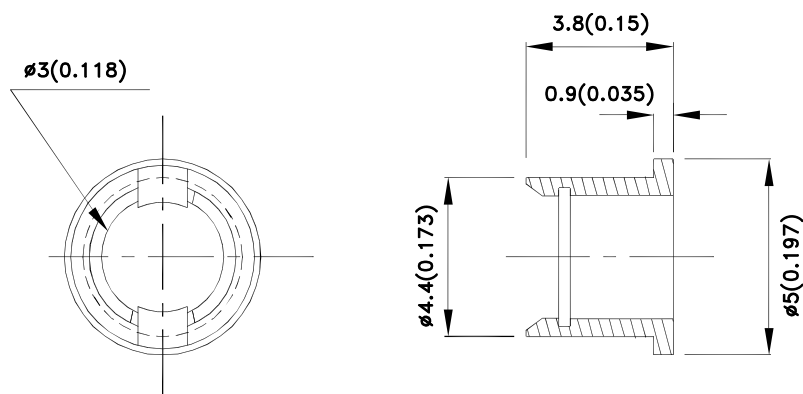


Part Number: RTC-31

Features

- Suitable for back panel illumination, circuit board indicator, led indicator.
- Housing UL rating: 94V-0.
- Housing material: type 66 nylon.
- Recommended hole size: diameter 4.4mm.
- Recommended panel thickness: 1mm.
- RoHS compliant.

Package Dimensions



Notes:

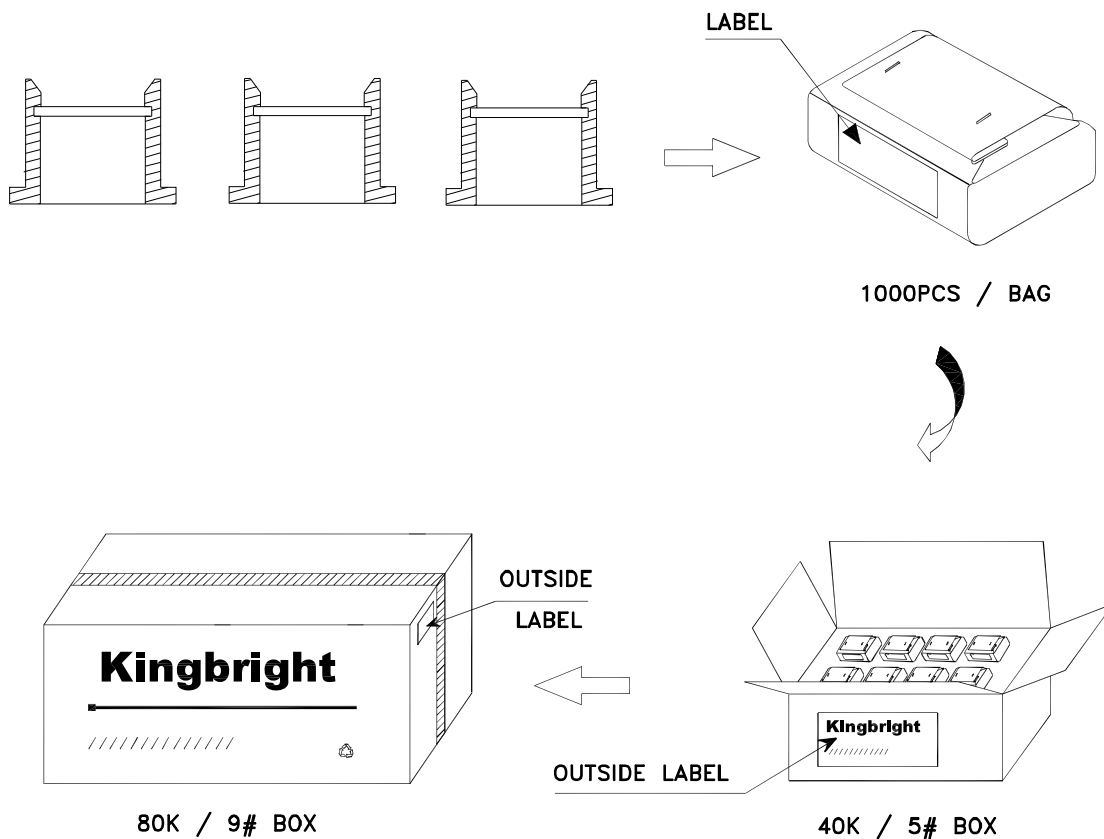
1. All dimensions are in millimeters (inches).
2. Tolerance is $\pm 0.25(0.01)$ unless otherwise noted.
3. The specifications, characteristics and technical data described in the datasheet are subject to change without prior notice.




Kingbright

PACKING & LABEL SPECIFICATIONS

RTC-31



<h1>Kingbright</h1>					
P/NO: RTC-31					
QTY: 1000 pcs	Q.C.	<table border="1"> <tr> <td>Q C</td> </tr> <tr> <td>XX XX XXXX</td> </tr> <tr> <td>PASSED</td> </tr> </table>	Q C	XX XX XXXX	PASSED
Q C					
XX XX XXXX					
PASSED					
S/N: XXXX					
CODE: XXX					
LOT NO:					
 xxxxxxxxxxxxxxxxxxxxxxxxxxxxxxxxxxxx					
RoHS Compliant					